

SOCKETS

INPUT SOCKET - is used for connection to interlock or output socket of previous 3SSP in a daisy chain

OUTPUT SOCKET - is used for connection to the next 3SSP in a daisy chain

6 WAY SOCKET - is used to connect LEDS & siren to the interface

LINKS

THROUGH TERMINATE LINKS - are set to the TERM position only when the interface is the last one in a chain or the 3SSP is being used on its own

FLASH STATIC - causes the top section of the 3SSP to when illuminated to flash or be static dependent on link position

ON TEST - in test position led open circuit is simulated, interlocks will open for normal operation the link should be in the ON position

X-RAYS OFF SECTION

The X-RAYS OFF section illuminates in the absence of X-RAYS IMMINENT or X-RAYS ON signals

For control via an external X-RAYS OFF signal T2 & R12 should be removed.

POWER

Unit requires 23 - 25VDC @ 0.7A maximum

FUSE

The fuse apart from protecting the circuitry forms part of the LED short circuit detection circuit and should only be replaced with a 1A normal blow

INPUTS

All inputs are 23-25VDC @ 5mA

TEST INPUT

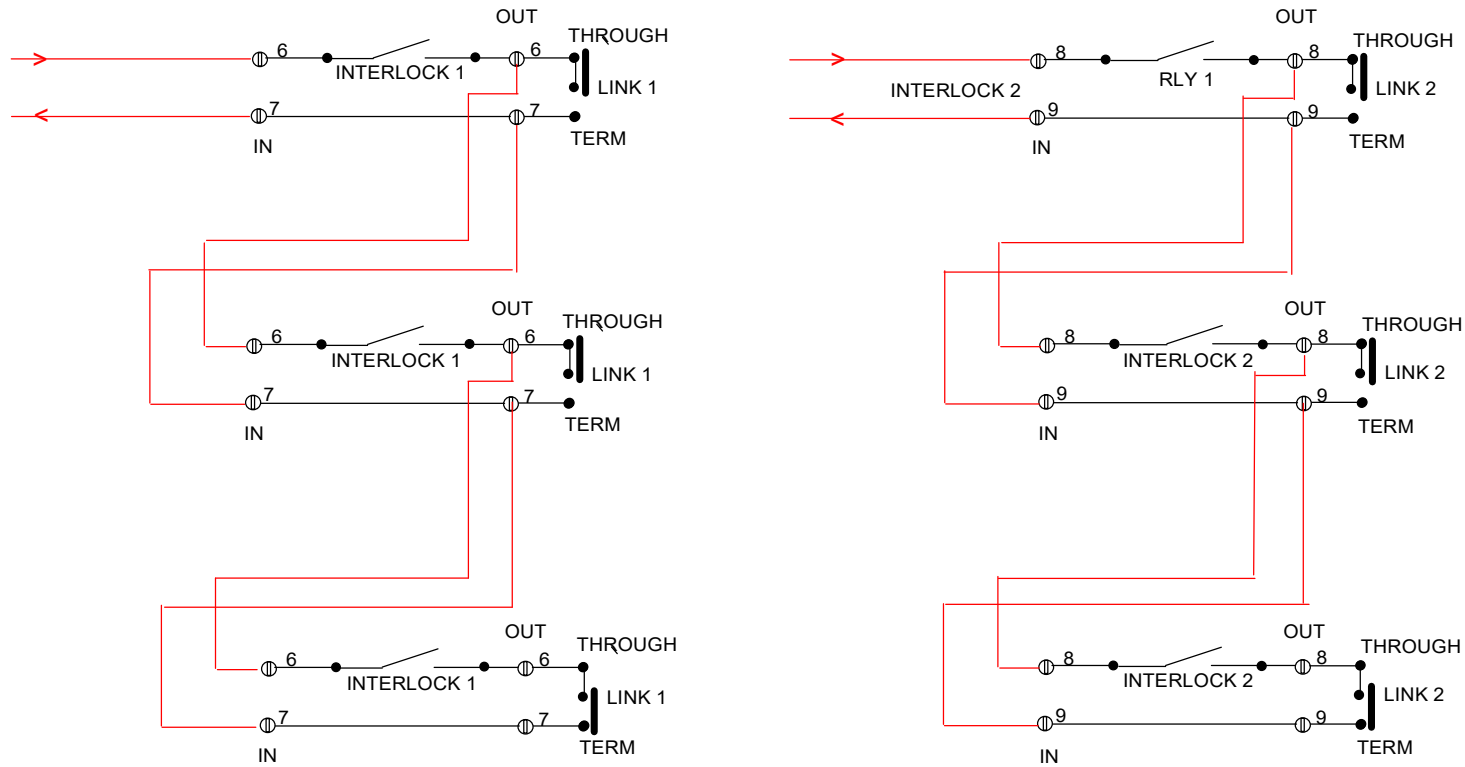
Test input causes X-RAYS ON & X_RAYS IMMINENT sections to illuminate for verification of operation.

INTERLOCK CONTACTS

Interlock contacts are rated 24VDC or 240VAC @ 3A maximum and should be fused.

Title 3SSP Light Pod Interface (Layout)		
Author D J WEBB MAINCAL		
File I:\DJW\SP 3SSP 2019\Customer Leaflets	Document	
Revision 2.0	Date 21/08/2019	Sheets 1 of 2

DAISY CHAIN CONFIGURATION



OBSERVE IN & OUT CONNECTOR USE

THROUGH / TERM LINK IN THROUGH POSITION EXCEPT LAST INTERFACE IN CHAIN

DIRECT CONFIGURATION



USE IN CONNECTOR
THROUGH / TERM LINK IN TERM POSITION

Title 3SSP Light Pod Interface (Layout)		
Author D J WEBB MAINCAL		
File	Document	
	I:\DJW\SP 3SSP 2019\Customer Leaflets	
Revision 2.0	Date 21/08/2019	Sheets 3